

KFC-176D

SERVICE MANUAL

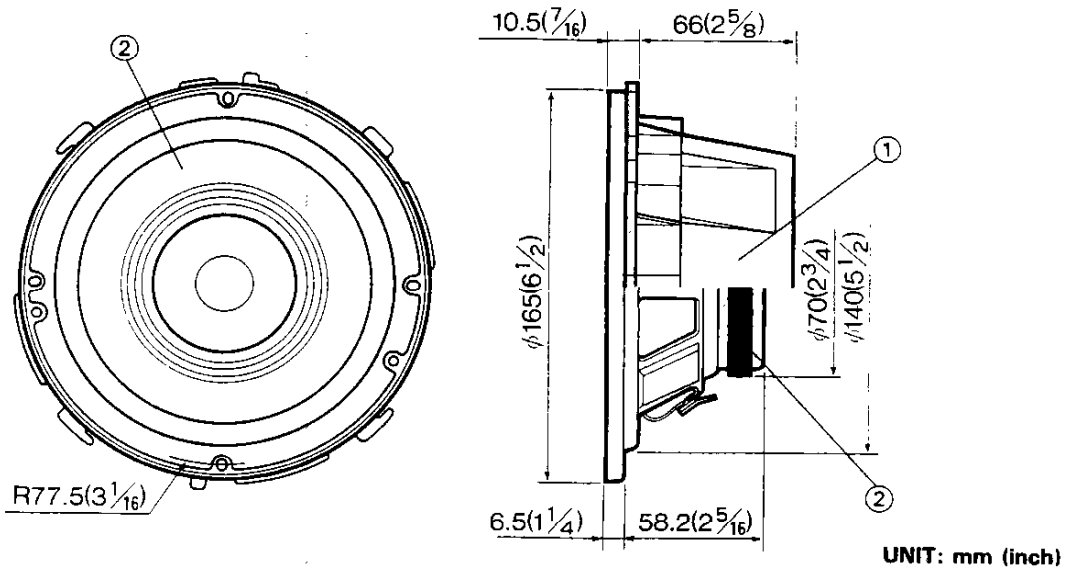
KENWOOD

Q.C.

COPY





©1989-3 PRINTED IN JAPAN
B51-6007-00(T)1110

EXTERNAL VIEW



UNIT: mm (inch)

PARTS INCLUDED

- A  $\phi 4-16(5/16-5/8)$ X16
- B  X8
- C  X8
- D  X2

SPECIFICATIONS

- Speaker 16.5 cm (6-1/2 in) dual cone-type
150 g (5.3 oz) magnet
- Peak power 60 Watts
- Sensitivity 90 dB/W at 1 m
- Impedance 4 ohms
- Weight per speaker 0.58 kg (1 lb 4 oz)/pc

(KENWOOD follows a policy of continuous advancements in development.
For this reason specifications may be changed without notice.)

PARTS LIST

★ New parts
Parts without **Parts No.** are not supplied.
Les articles non mentionnés dans le **Parts No.** ne sont pas fournis.
Teile ohne **Parts No.** werden nicht geliefert.

Ref No.	New Parts	Parts No.	Description
①	★	J19-2457-08	BRACKET
	★	N99-1070-08	SCREW SET
②	★	T07-0150-08	SPEAKER

KENWOOD CORPORATION

Shionogi Shibuya Building 17-5, 2-chome Shibuya Shibuya-Ku Tokyo 150 Japan

KENWOOD U.S.A. CORPORATION
2201 East Dominguez Street Long Beach, CA 90810
550 Clark Drive, Mount Olive, NJ 07028, U.S.A.

KENWOOD ELECTRONICS CANADA INC.
P.O. Box 1075 959 Gana Court Mississauga Ontario Canada L4T 4C2

KENWOOD ELECTRONICS BENELUX N.V.
Mechelsesteenweg 418 B-1930 Zaventem Belgium

KENWOOD ELECTRONICS DEUTSCHLAND GMBH
Rembucker-Str. 15 6056 Heusenstamm West Germany

TRIO-KENWOOD FRANCE S.A.

Hi-Fi-VIDEO-CAR Hi-Fi
13 Boulevard Ney, 75016 Paris France

TRIO-KENWOOD U.K. LTD.

17 Bristol Road The Metropolitan Centre Greenford Middx UB6 8UP England

KENWOOD ELECTRONICS AUSTRALIA PTY. LTD.

4E Woodcock Place Lane Cove N.S.W. 2066 Australia

KENWOOD & LEE ELECTRONICS, LTD.

Wang Kee Building 4th Floor 34-37 Connaught Road Central Hong Kong